

XLERATOR[®] HAND DRYER



ORIGINAL. PATENTED. STILL THE BEST.

NEW ENHANCED STANDARD FEATURES



Adjustable Speed and
Sound Control



Multi-Voltage Options:
110-120V Or 208-277V



Adjustable Heat Settings -
High, Medium, Low & Off



Externally Visible
Service LED

10
SECONDS*
dry time

95%
COST SAVINGS
versus paper towels

80%
LESS ENERGY
than conventional dryers

TIME TO THROW IN THE TOWEL®



White Epoxy
Model XL-W



Brushed Stainless
Model XL-SB



Chrome
Model XL-C



Graphite
Model XL-GR

ONE OF THE WORLD'S MOST ADVANCED HAND DRYERS



POWERFUL

Wet to dry in around 10 - 12 seconds



ENERGY EFFICIENT

80% less energy used than conventional hand dryers



GREEN FRIENDLY

The first dryer to receive the GreenSpec® Award for energy efficiency



PROMOTES HYGIENE

The Xlerator® creates a cleaner, paperless environment



ADVANCED SAFETY FEATURES

35 second lockout if hands are not removed



ADJUSTABLE HEAT CONTROLLER

Variable heat control with adjustable settings – adjusting heat control to “No Heat”; will effectively operate the dryer as an Xlerator® Eco



NEW PRE-FILTER

This PRE-FILTER prevents lint and heavier particles from getting into and potentially clogging the motor.



The Xlerator® is the first dryer ever to receive the GreenSpec® approval award for energy efficiency. These standards include energy conservation, low maintenance and waste reducing qualities.

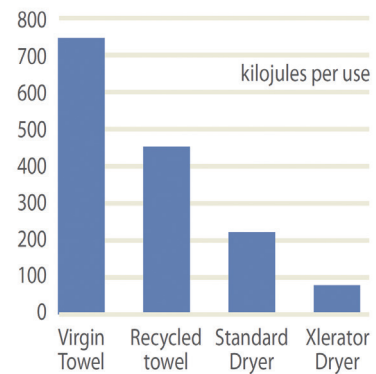


The Xlerator® is the first dryer ever to qualify for LEED credits (Leadership in Energy and Environmental Design). These credits include the Xlerator's® ability to Optimise Energy Performance.



ENERGY PERFORMANCE

The results, as illustrated in the adjacent table show that just on the basis of energy use alone, electric hand dryers are far better, without even considering the many other environmental impacts of the manufacture and disposal of paper. These include resource depletion, water pollution and solid waste.

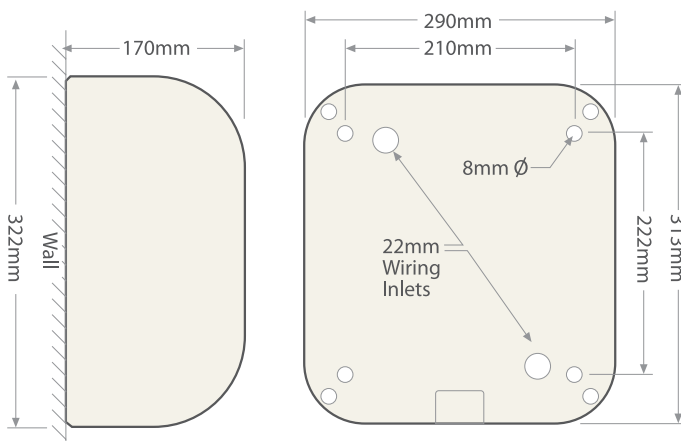


SPECIFICATIONS

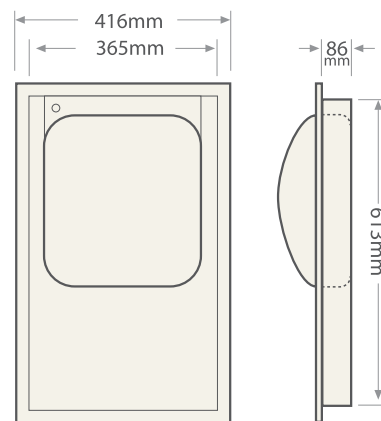
Motor	5/8hp (20,000rpm) 6.5amp
Weight	7.3kgs
Max. Temp	57°C (at 22°C room temp)
Controller	Infrared Optical
Cover	Options of Die-cast Zinc Alloy, White Thermoset or Stainless Steel

SUGGESTED MOUNT HEIGHTS

Mens	114 cm
Ladies	109 cm
Teenagers	104 cm
Sm. Children	89 cm
Handicapped	94 cm



Dryer dimensions



Optional recessed kit dimensions

* Dry time and energy use testing performed by SGS International on standard XLERATOR Hand Dryer with 0.8" nozzle to 0.25g or less of residual moisture, pursuant to the UL Environment Global Product Category Rules (PCR) for Hand Dryers.



AS USED BY



CUSTOMISE YOUR COVER

Our cover finish options are the most diverse in the industry, including custom cover options for corporate branding or environmental messaging. Our exclusive patented Kolorfusion digital image technology is used to customize covers with graphics, team colors, corporate logos, green messaging or any other high-resolution image. Covers can also be painted with any RAL Color powder coat paint color or PVD coating such as Gold, Brass and Copper. Contact us for more information and pricing.



Pall Mall Manufacturing Co. Pty. Ltd.

Sydney Melbourne Brisbane Adelaide Perth
167 Bonds Road, Riverwood NSW 2210

Tel: (02) 9584 8644

Email: info@pallmall.com.au

Web: www.pallmall.com.au